



# waste container

X-RAY WASTE CONTAINER		
	X-Ray Container 01	X-Ray Container 02
Standard dimensions (internal dimensions)	W= 200 [mm] H= 200 [mm] D= 170 [mm]	W= 200 [mm] H= 400 [mm] D= 170 [mm]
External dimensions – front look	W= 245 [mm] H= 380 [mm] D= 350 [mm]	W= 245 [mm] H= 580 [mm] D= 350 [mm]
Standard lead thickness	2 – 4 [mm]	
Pedal for hands-free opening	YES	
System for slow closing	YES, hidden	
Inside material	Stainless steel	
Outside material	Stainless steel	
Material for radiation-shielding	Lead	
Usage	Waste container for protection of ionizing radiation	
Easy to clean	YES	
<b>NOTE: Internal dimensions and lead thickness may vary due to the client's request.</b>		



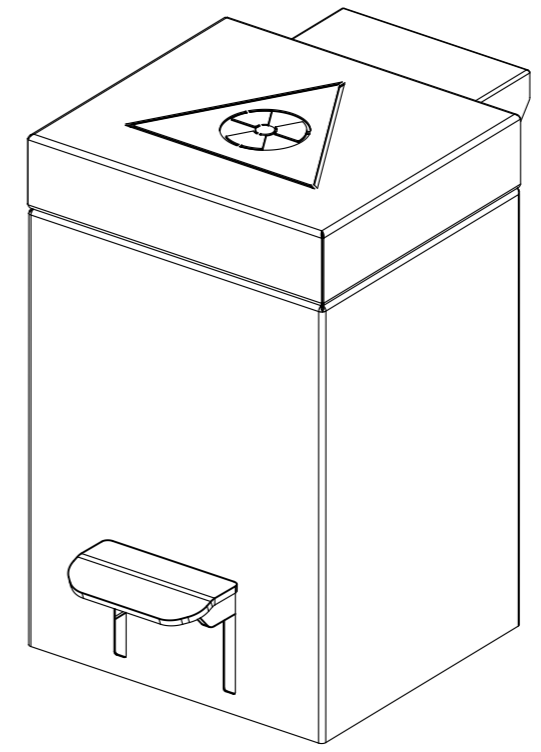
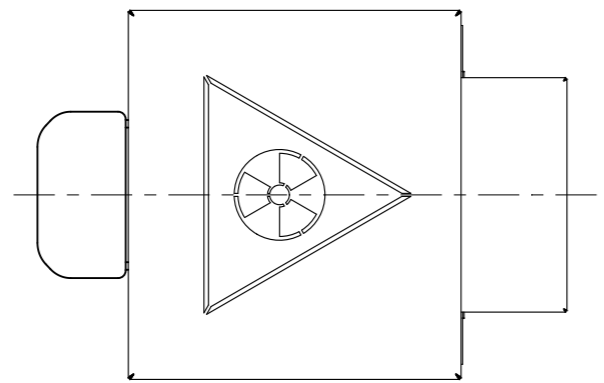
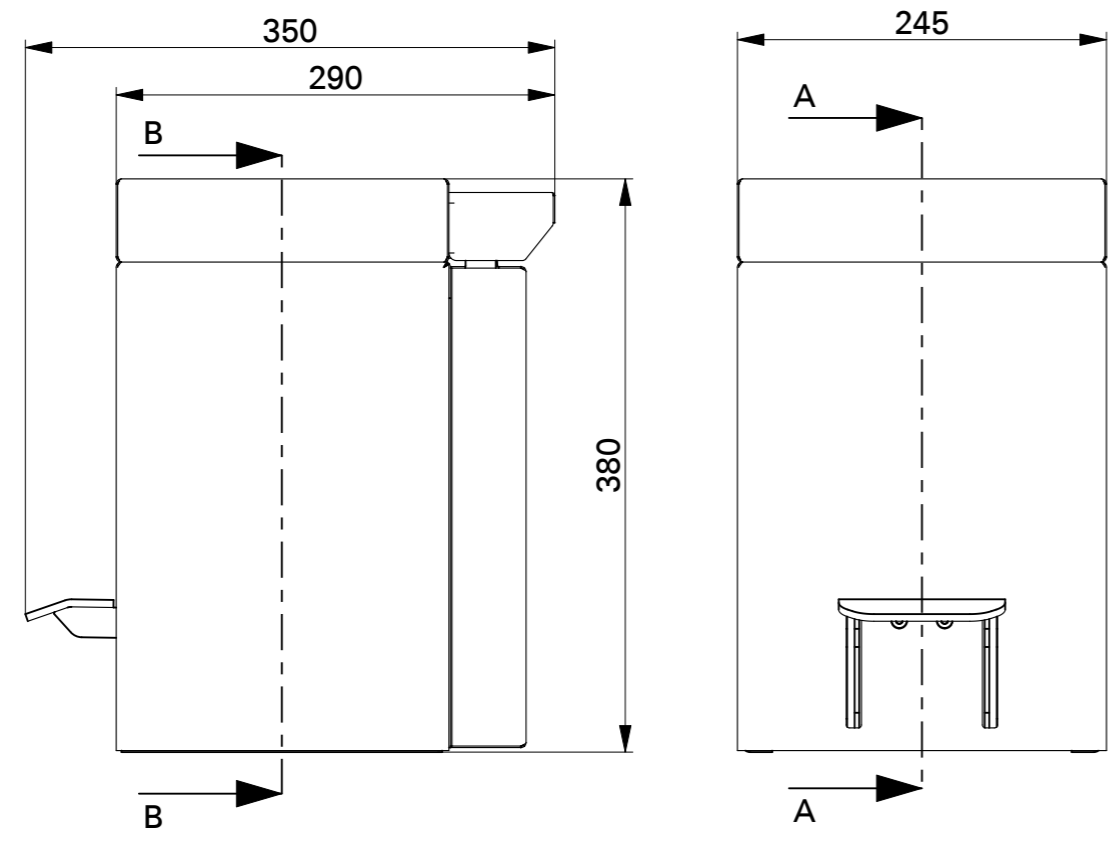
The picture is for a presentational purpose.

Preparation according to DIN EN 29692.  $s=1,414 \times a$   
 General tolerance for welded structure  
 According to DIN EN ISO 13920.  
 Implementation of welds DIN EN 25817 Gr. C

ISO 2768-1	h6	g6	f7	h7	g8	f9	h9	g9	f10	h10	g10	f11	h11	g11	f12	h12
Free fit:	±0,05	±0,05	±0,1	±0,15	±0,2	±0,3	±0,5	±0,8	±1,2	±2	±3	±4	±6	±10	±12	±18
Medium fit:	±0,01	±0,01	±0,02	±0,03	±0,05	±0,08	±0,12	±0,18	±0,25	±0,35	±0,5	±0,7	±1,0	±1,5	±2,0	±3,0
Coarse fit:	±0,02	±0,03	±0,05	±0,08	±0,12	±0,18	±0,25	±0,35	±0,5	±0,7	±1,0	±1,5	±2,0	±3,0	±4,0	±6,0
Very coarse fit:	±0,05	±0,08	±0,12	±0,18	±0,25	±0,35	±0,5	±0,7	±1,0	±1,5	±2,0	±3,0	±4,0	±6,0	±10	±15

8 7 6 5 4 3 2 1

F  
E  
D  
C  
B  
A

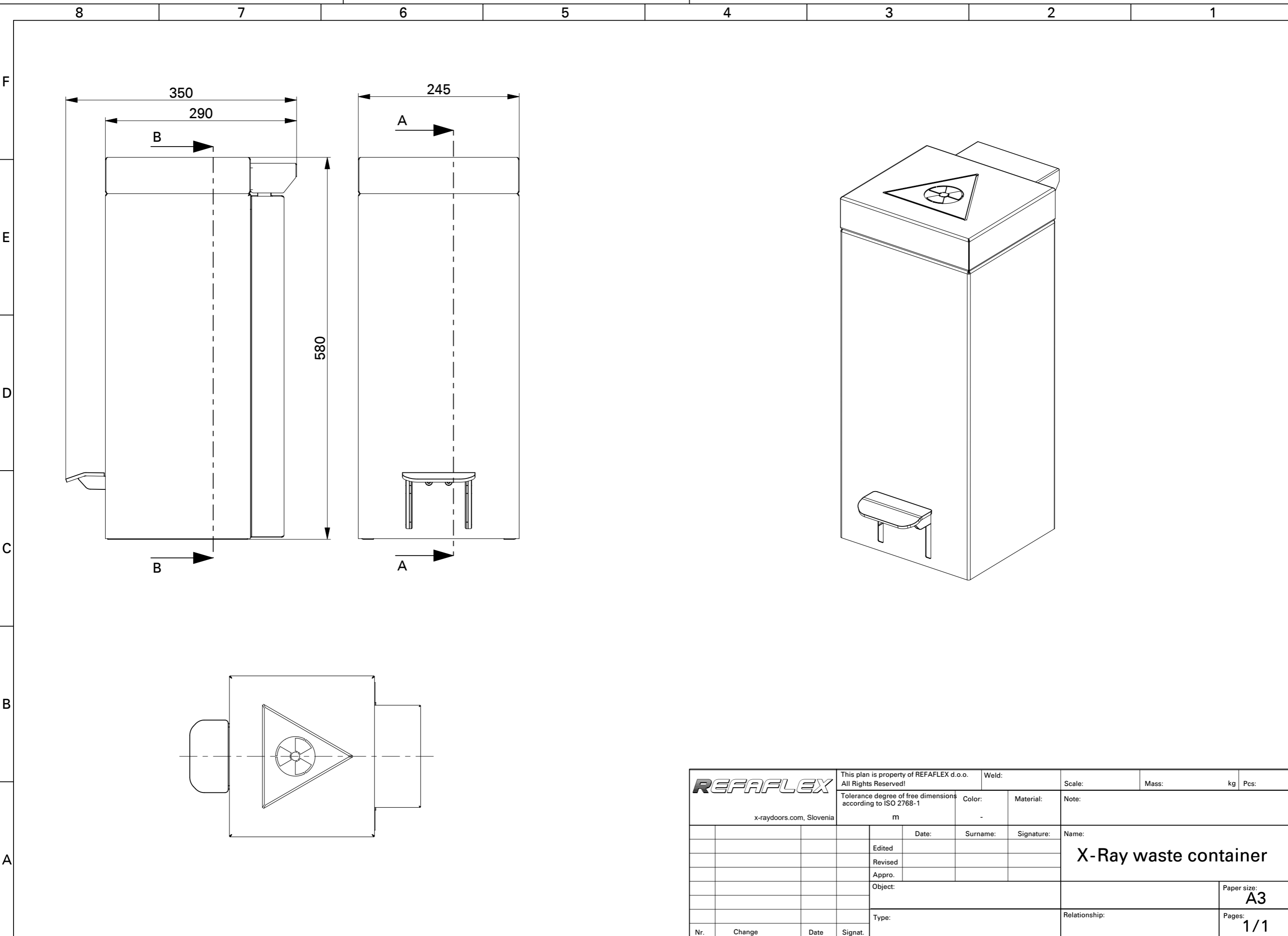


<b>REFAFLEX</b>		This plan is property of REFAFLEX d.o.o. All Rights Reserved!		Weld:		Scale:	Mass:	kg	Pcs:
x-raydoors.com, Slovenia		Tolerance degree of free dimensions according to ISO 2768-1		Color:	Material:	Note:			
		Date:	Surname:	Signature:	Name:				
		Edited	<b>X-ray waste container</b>						
		Revised							
		Appro.							
		Object:			Paper size: <b>A3</b>				
		Type:	Relationship:			Pages: <b>1/1</b>			
Nr.	Change	Date	Signat.						

Preparation according to DIN EN 29692.  $s=1,414 \times a$   
 General tolerance for welded structure  
 According to DIN EN ISO 13920.  
 Implementation of welds DIN EN 25817 Gr. C

ISO 2768-1	ISO 2768-2	ISO 2768-3	ISO 2768-4	ISO 2768-5	ISO 2768-6	ISO 2768-7	ISO 2768-8	ISO 2768-9	ISO 2768-10	ISO 2768-11	ISO 2768-12
±	±	±	±	±	±	±	±	±	±	±	±
0.05	0.05	0.1	0.15	0.2	0.3	0.5	0.8	1.2	2	3	4
0.1	0.1	0.2	0.3	0.5	0.8	1.2	2	3	4	6	8
0.2	0.2	0.3	0.5	0.8	1.2	2	3	4	6	8	10
0.3	0.3	0.5	0.8	1.2	2	3	4	6	8	10	12
0.5	0.5	0.8	1.2	2	3	4	6	8	10	12	15
0.8	0.8	1.2	2	3	4	6	8	10	12	15	20
1.2	1.2	2	3	4	6	8	10	12	15	20	25
2	2	3	4	6	8	10	12	15	20	25	30
3	3	4	6	8	10	12	15	20	25	30	40
4	4	6	8	10	12	15	20	25	30	40	50
6	6	8	10	12	15	20	25	30	40	50	60
8	8	10	12	15	20	25	30	40	50	60	80
10	10	12	15	20	25	30	40	50	60	80	100
12	12	15	20	25	30	40	50	60	80	100	120
15	15	20	25	30	40	50	60	80	100	120	150
20	20	25	30	40	50	60	80	100	120	150	200
25	25	30	40	50	60	80	100	120	150	200	250
30	30	40	50	60	80	100	120	150	200	250	300
40	40	50	60	80	100	120	150	200	250	300	400
50	50	60	80	100	120	150	200	250	300	400	500
60	60	80	100	120	150	200	250	300	400	500	600
80	80	100	120	150	200	250	300	400	500	600	800
100	100	120	150	200	250	300	400	500	600	800	1000

Welding  
 $a = 0.7 \times \text{wall thickness}$



<b>REFAFLEX</b>		This plan is property of REFAFLEX d.o.o. All Rights Reserved!		Weld:		Scale:	Mass:	kg	Pcs:
x-raydoors.com, Slovenia		Tolerance degree of free dimensions according to ISO 2768-1		Color:		Material:		Note:	
		m		-					
		Date:		Surname:		Signature:		Name:	
		Edited						<b>X-Ray waste container</b>	
		Revised							
		Appro.							
		Object:						Paper size:	
								A3	
		Type:						Pages:	
								1/1	
Nr.	Change	Date	Signat.			Relationship:			